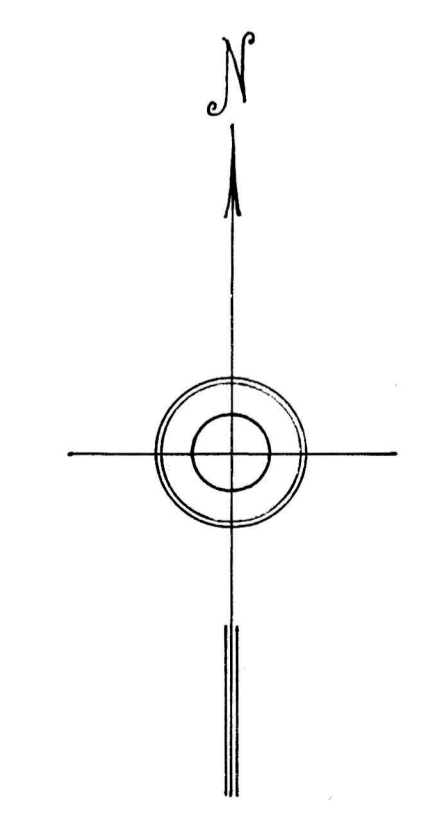


SCHEDULE OF DOORS				
MARK	SIZE	SWING	GLASS	REMARKS
A	3'-6" x 7'-0"	1 1/2"	No	No.
B	2'-6" x 7'-0"	1 1/2"	No	✓
C	2'-4" x 7'-0"	1 1/2"	No	✓
D	2'-4" x 7'-0"	1 1/2"	No	MALAMEIN
E	2'-4" x 7'-0"	1 1/2"	Yes	✓
F	3'-2" x 7'-0"	1 1/2"	No	SPRINGE-RELEASE FIRE DOOR
G	2'-0" x 7'-0"	1 1/2"	No	✓
H	2'-0" x 7'-0"	1 1/2"	No	✓
I	2'-0" x 7'-0"	1 1/2"	No	GOTHIC HEAD
J	2'-0" x 7'-0"	1 1/2"	No	✓
K	2'-0" x 7'-0"	1 1/2"	No	✓
L	2'-0" x 7'-0"	1 1/2"	No	✓
M	2'-0" x 7'-0"	1 1/2"	CHIPPED	✓
N	2'-0" x 7'-0"	1 1/2"	No	✓
O	2'-0" x 7'-0"	1 1/2"	No	✓
P	2'-4" x 7'-0"	1 1/2"	No	✓
Q	3'-4" x 7'-0"	1 1/2"	No	GOTHIC HEAD
R	2'-0" x 4'-9"	1 1/2"	No	✓
S	1'-5" x 7'-0"	1 1/2"	No	✓
T	3'-0" x 7'-0"	1 1/2"	Yes	No
U	2'-3" x 6'-6"	1 1/2"	No	No
V	2'-0" x 4'-6"	1 1/2"	No	No

BASEMENT FLOOR PLAN  
SCALE 1/4 INCH = 1 FOOT



LEGEND		
	BRICK	
	STONE	
	CONCRETE	
	STUD WALL	

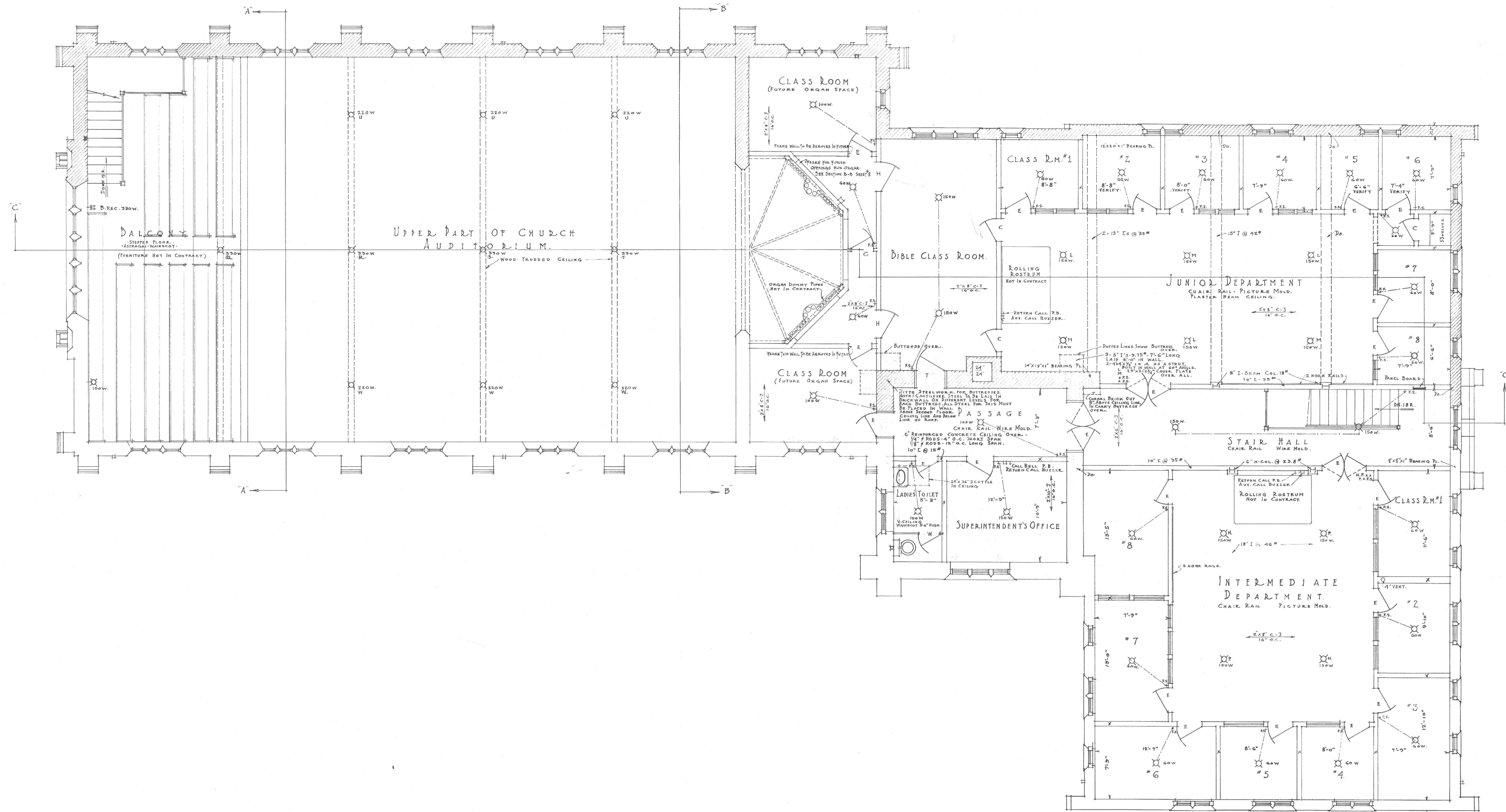
CHURCH AND SUNDAY SCHOOL BUILDING  
WATTS STREET BAPTIST CHURCH  
DURHAM NORTH CAROLINA

STANHOPE S JOHNSON  
CERTIFIED ARCHITECT LYNCHBURG VA

SCALE 1/4 INCH = 1 FOOT      DATE DECEMBER 1923      SHEET NUMBER 1

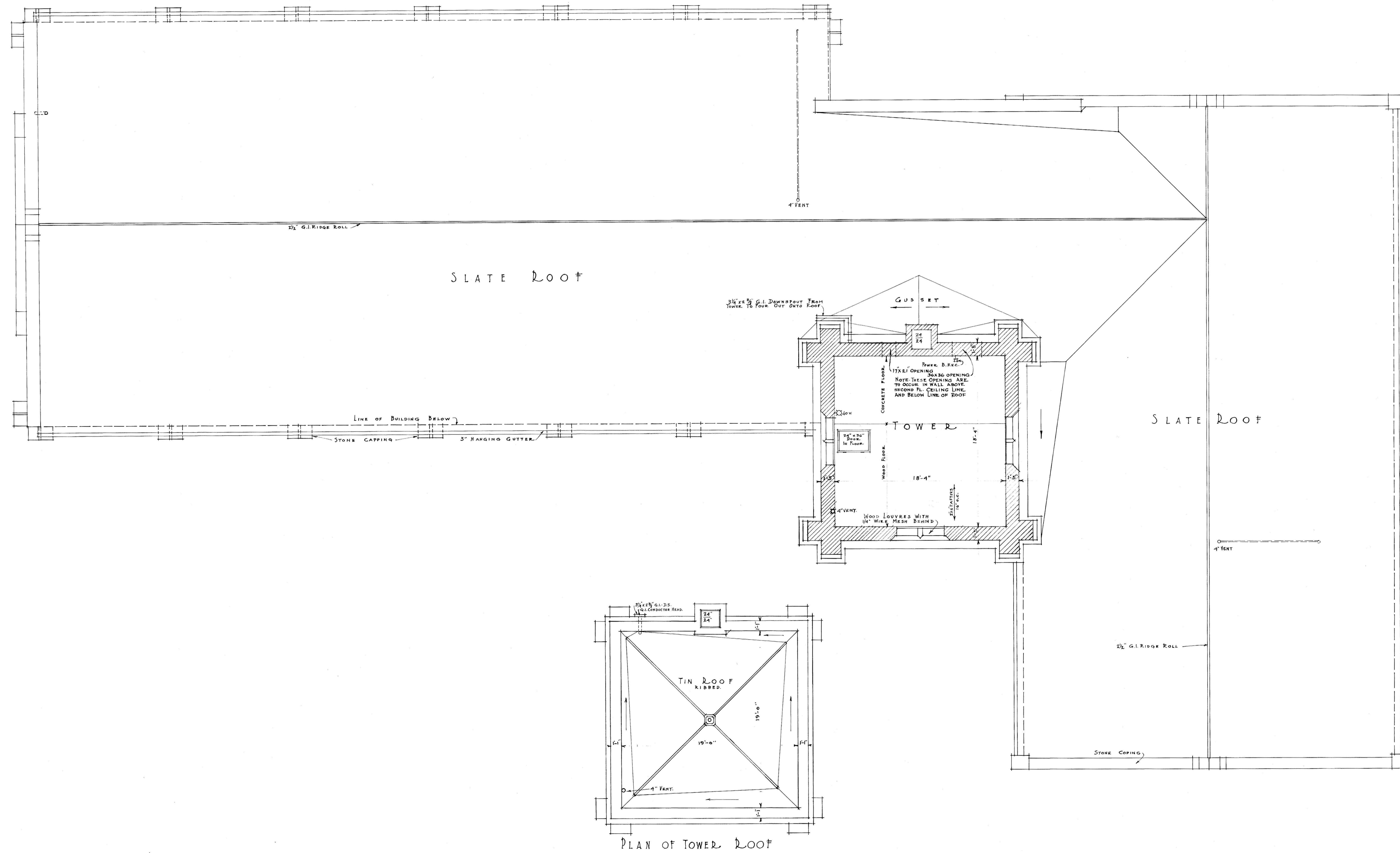
CONTINUE DRAWING TO CITY CONNECTION APPROX. 15' 0" FROM EAST END LOCATED IN PARKING





SECOND FLOOR PLAN

CHURCH AND SUNDAY SCHOOL BUILDING WATTS STREET BAPTIST CHURCH DURHAM NORTH CAROLINA		
STANHOPE S. JOHNSON CERTIFIED ARCHITECT - LYNCHBURG VA.		
SCALE 1/4 INCH = 1 FOOT	DATE DECEMBER 1923	SHEET NUMBER 3

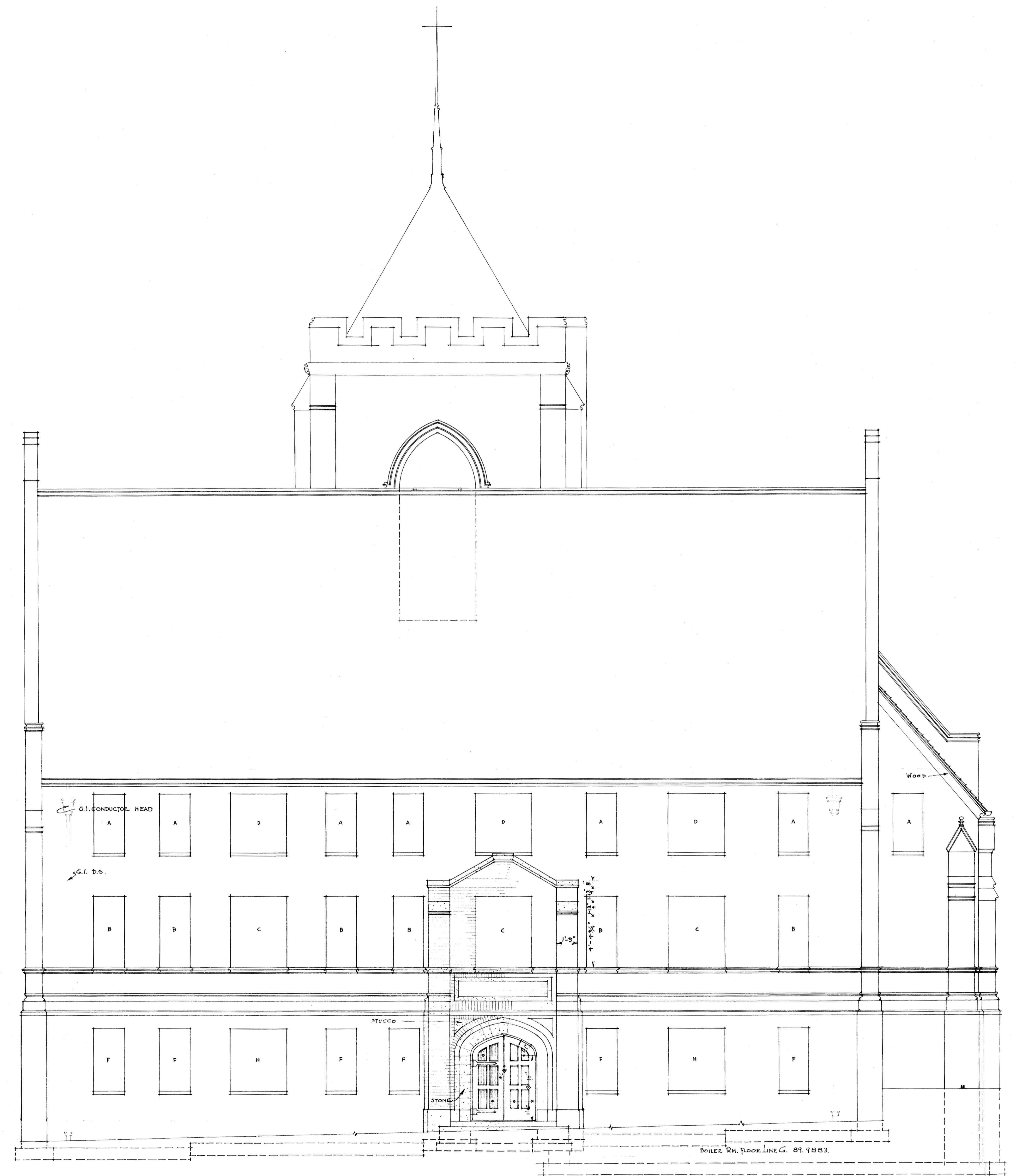


MAIN ROOF PLAN

CHURCH AND SUNDAY SCHOOL BUILDING		
WATTS STREET BAPTIST CHURCH		
DURHAM NORTH CAROLINA		
STANHOPE S. JOHNSON		
CERTIFIED ARCHITECT LYNCHBURG VA.		
SCALE	DATE	SHEET NUMBER
1/4 INCH = 1 FOOT.	DECEMBER 1923.	4



WATTS STREET ELEVATION



REAR ELEVATION

CHURCH AND SUNDAY SCHOOL BUILDING WATTS STREET BAPTIST CHURCH DURHAM NORTH CAROLINA		
STANHOPE S. JOHNSON. CERTIFIED ARCHITECT LYNCHBURG VA.		
SCALE 1/4 INCH = 1 FOOT	DATE DECEMBER 1925	SHEET NUMBER 5





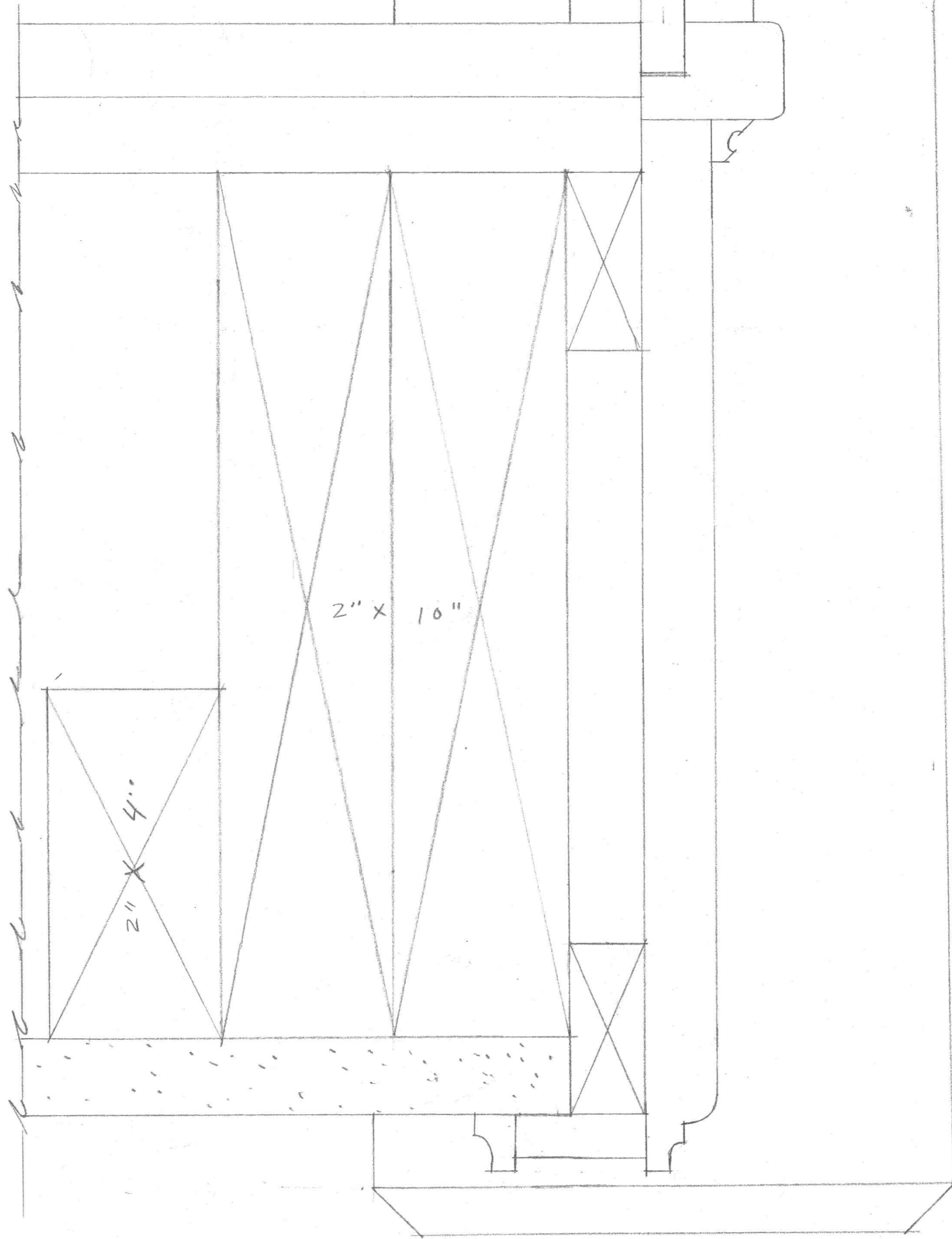
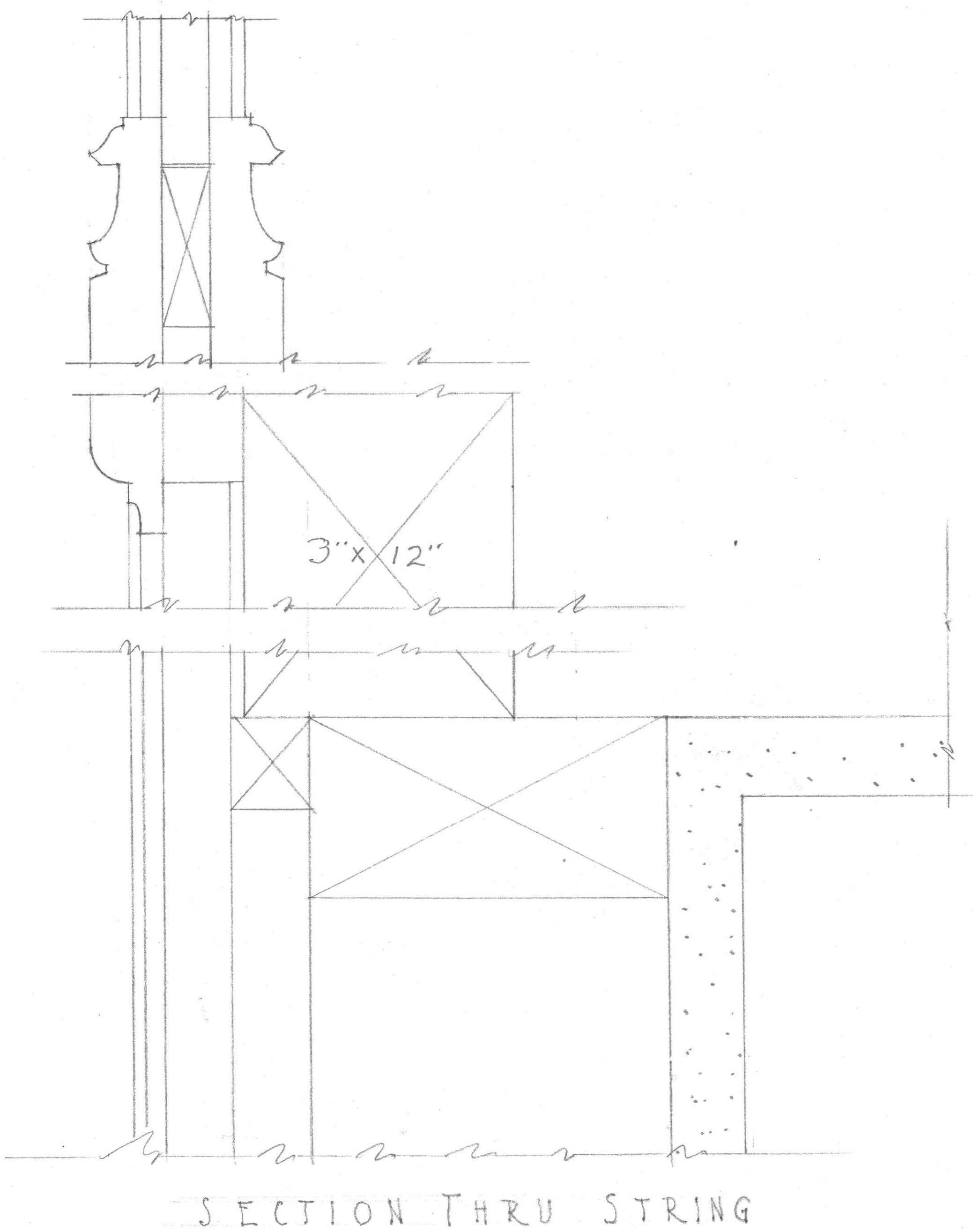
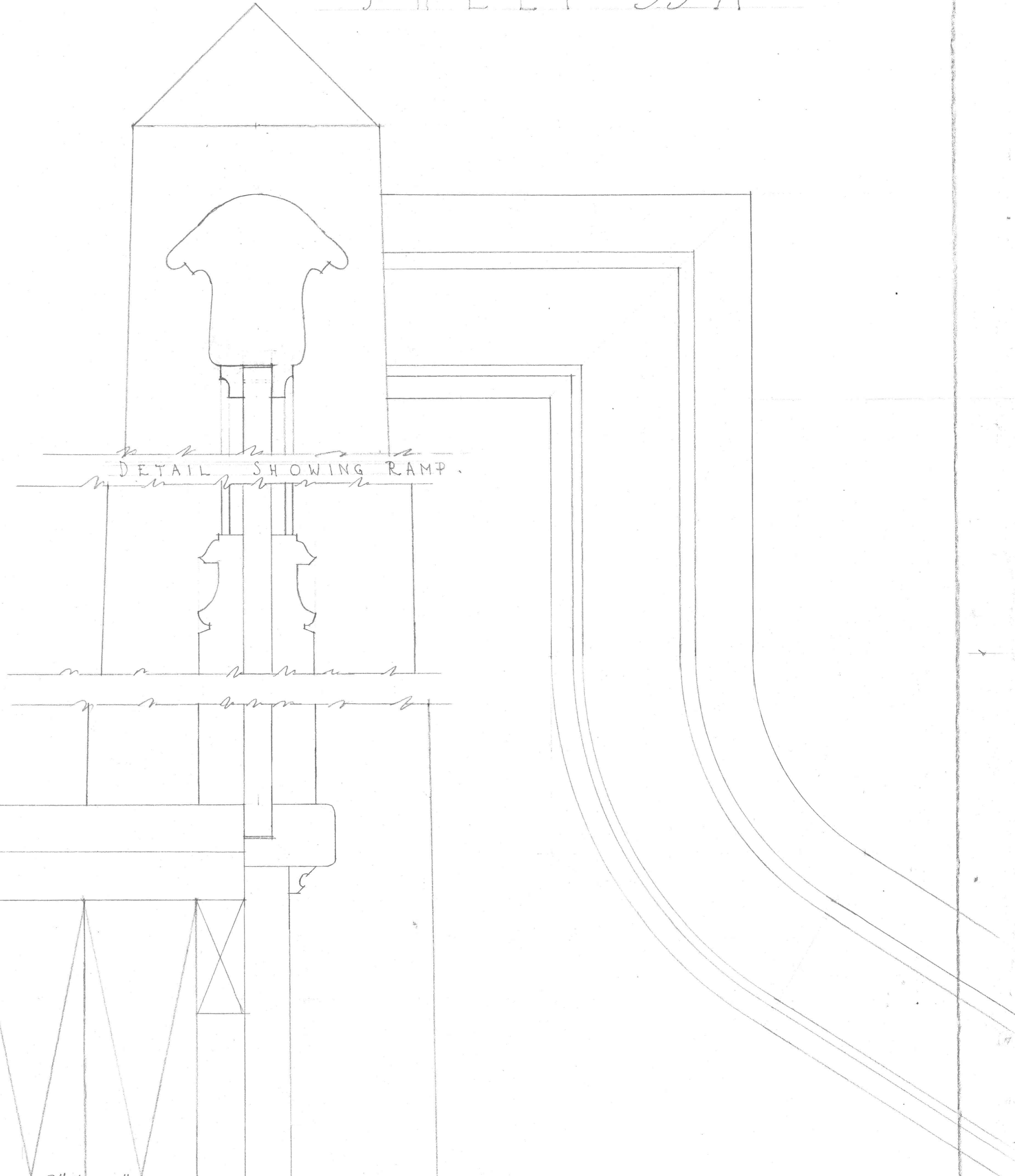
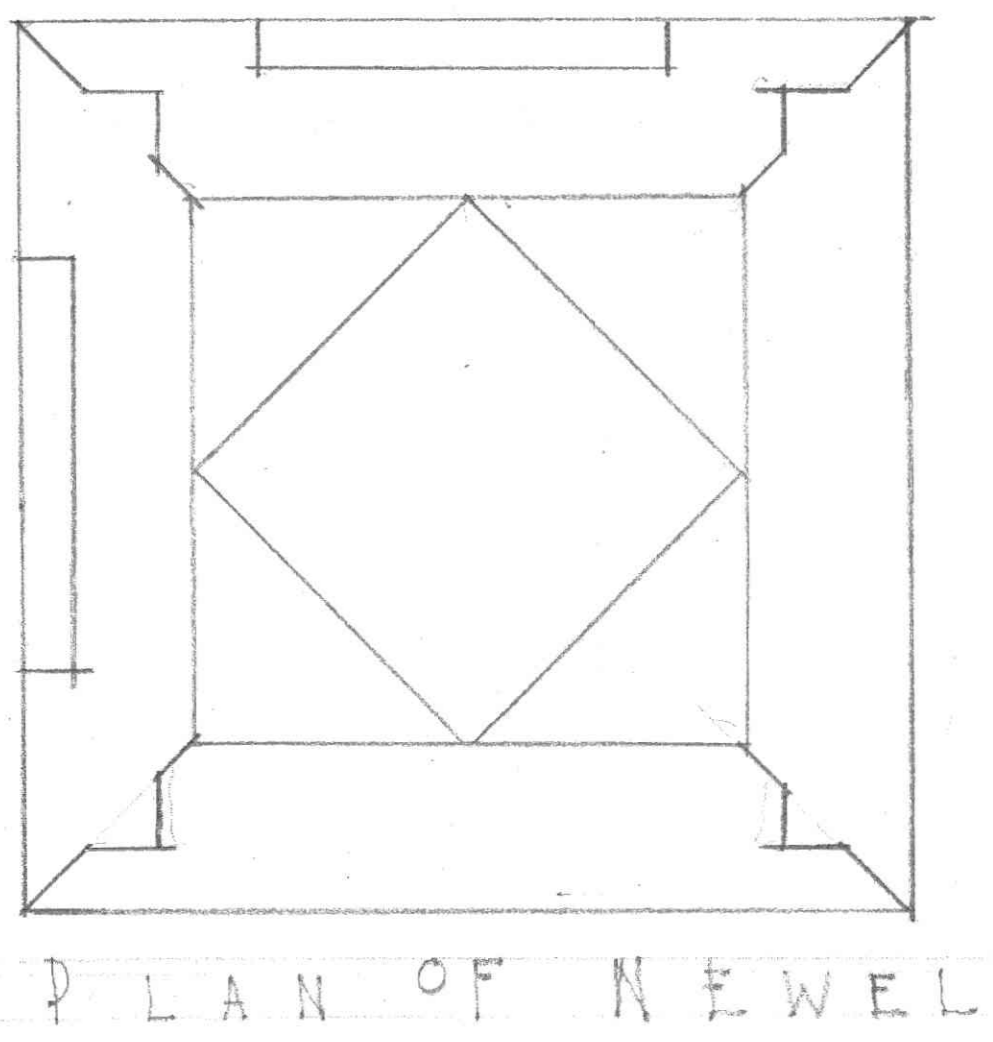
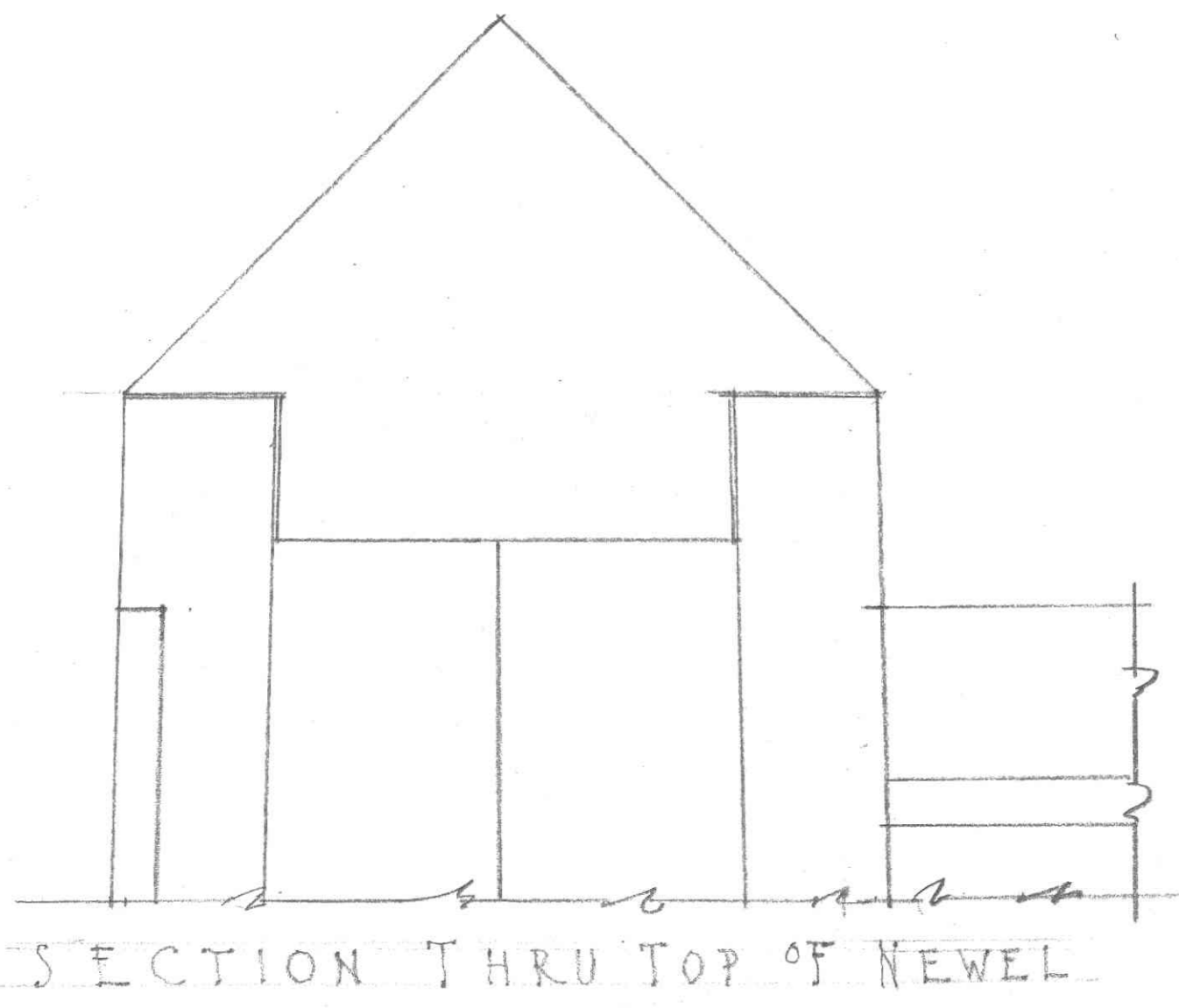
LEFT SIDE ELEVATION

CHURCH AND SUNDAY SCHOOL BUILDING		
WATTS STREET BAPTIST CHURCH		
DURHAM NORTH CAROLINA		
STANHOPE S. JOHNSON		
CERTIFIED ARCHITECT LYNCHBURG VA.		
SCALE	DATE	SHEET NUMBER
1/4 INCH = 1 FOOT	DECEMBER 1920	7

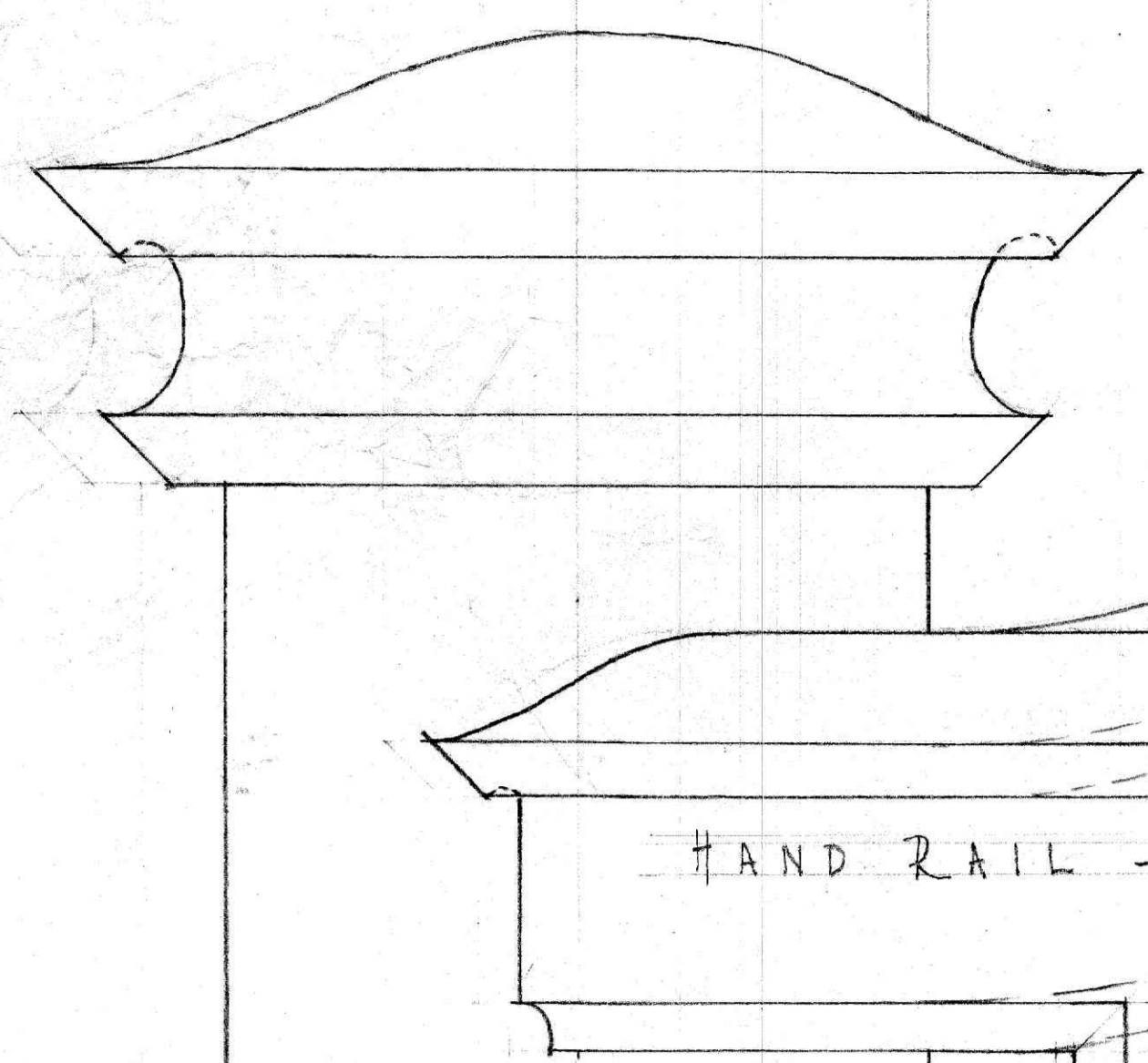




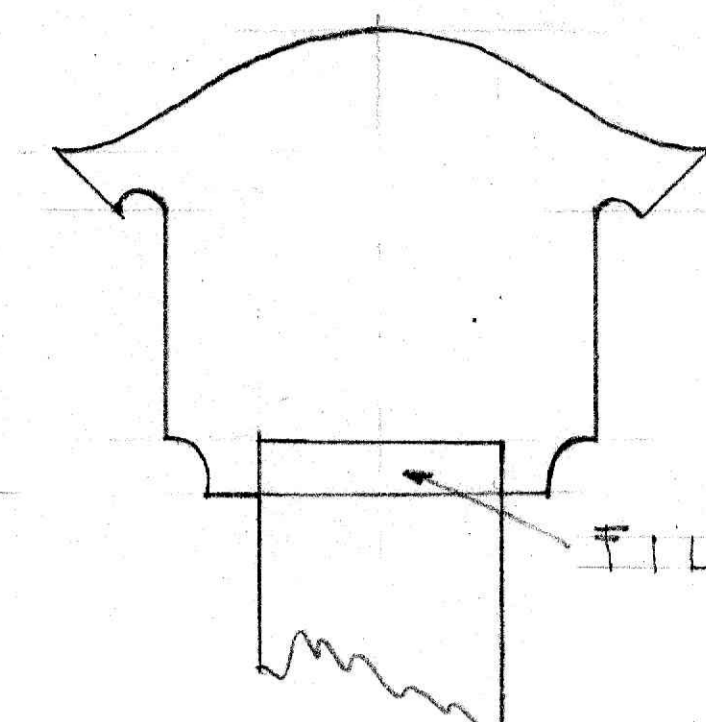
F. S. DETAILS OF STAIR IN CHURCH VESTIBULE  
SHEET # 33-A.



SECTION THRU WELL HOLE

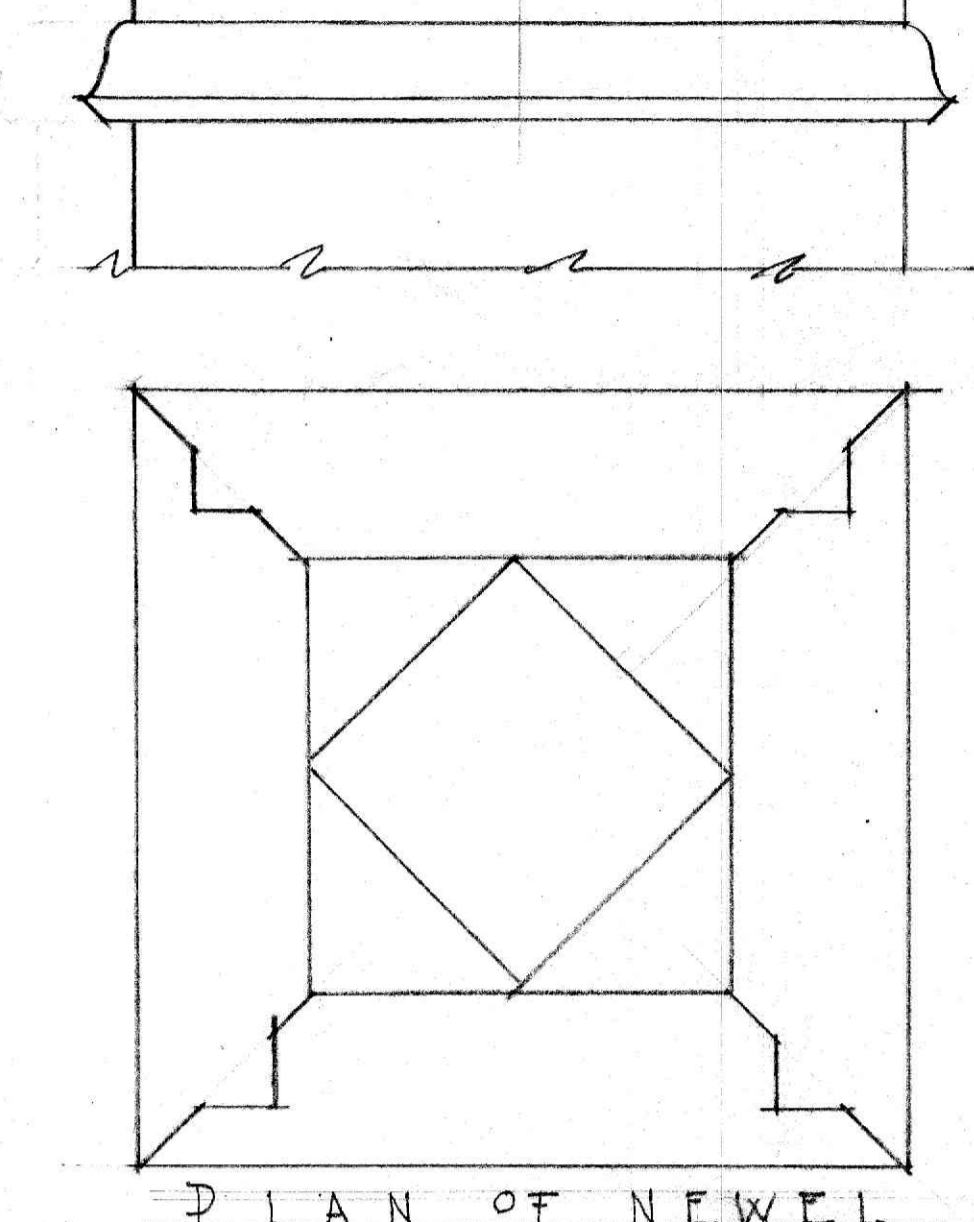


HAND RAIL

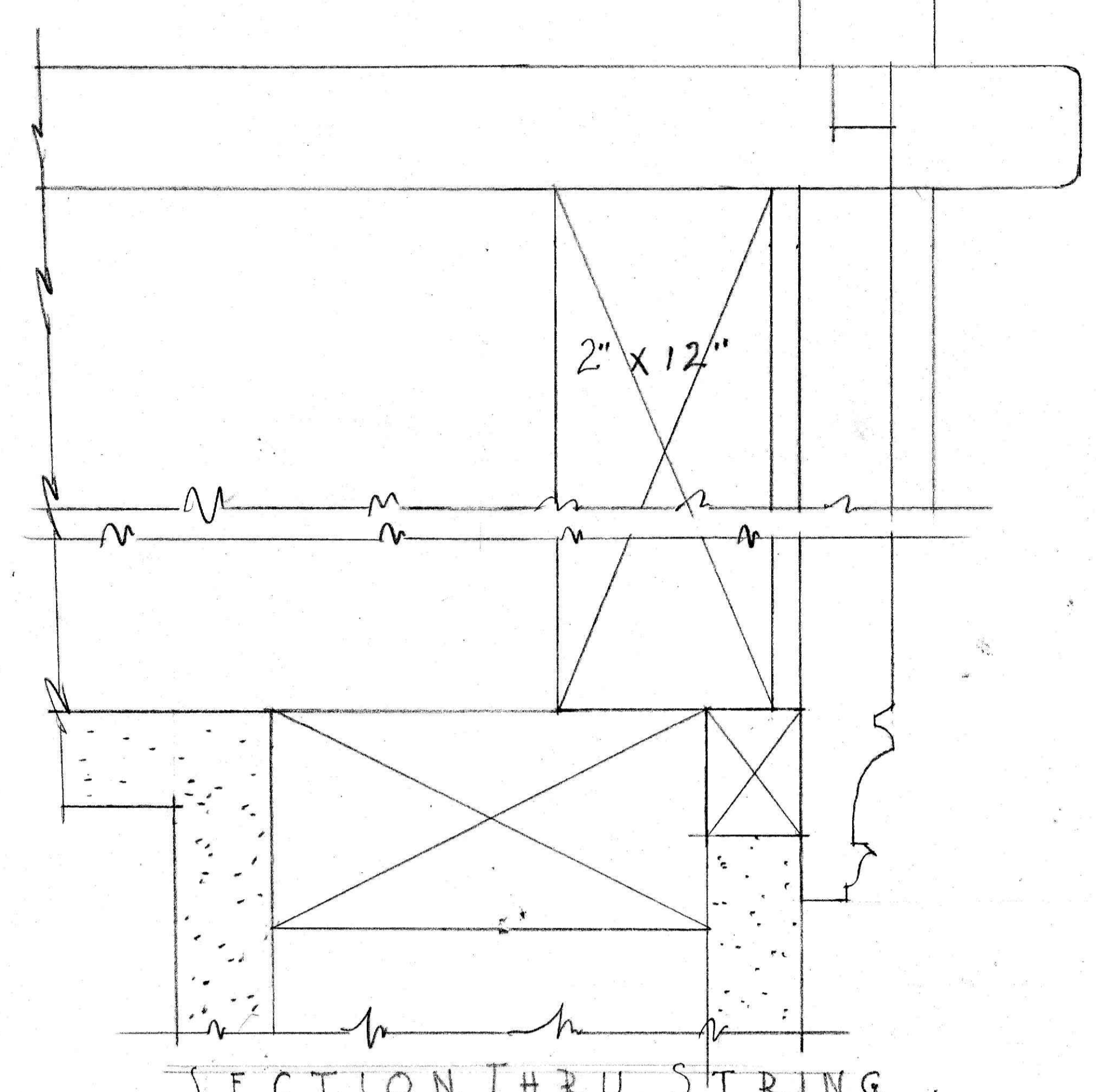


FILLET

HAND RAIL

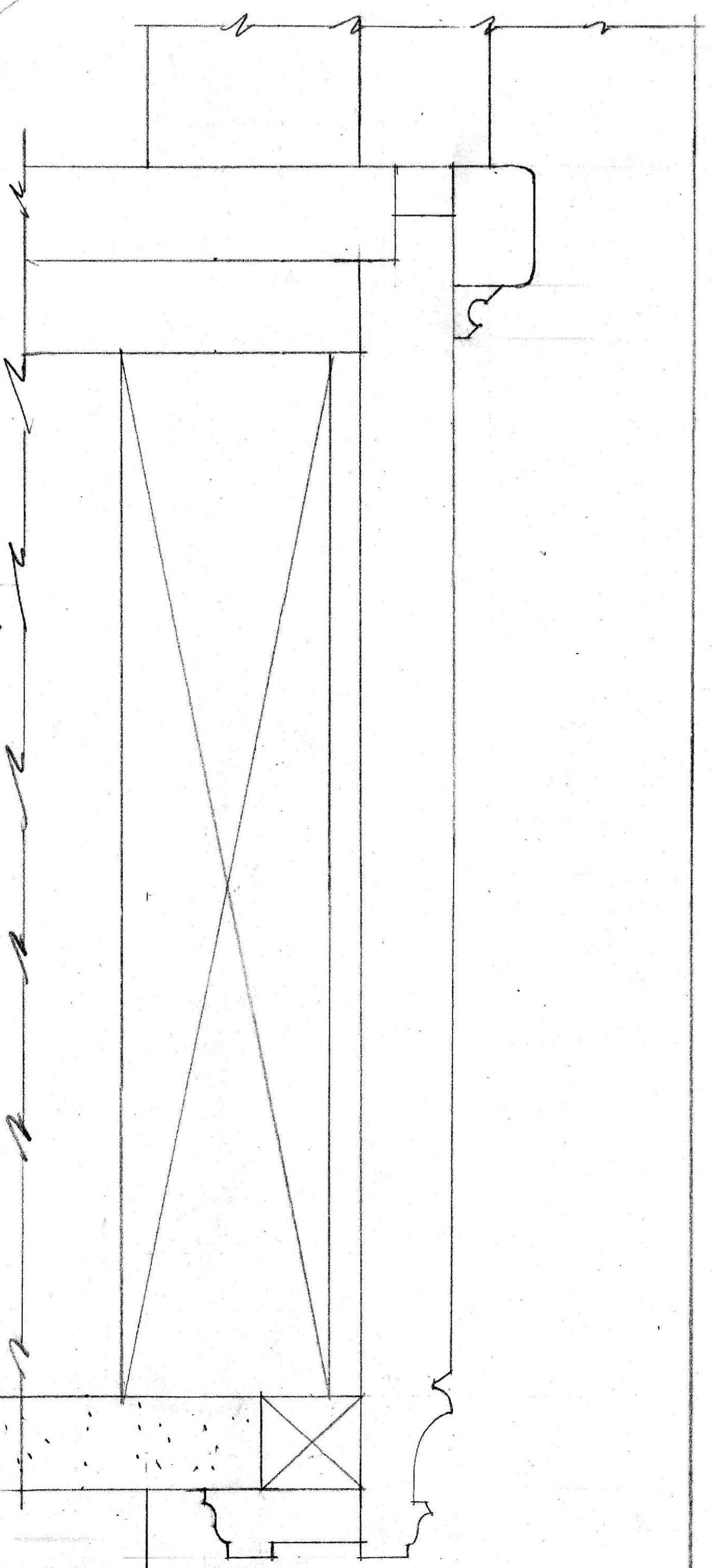
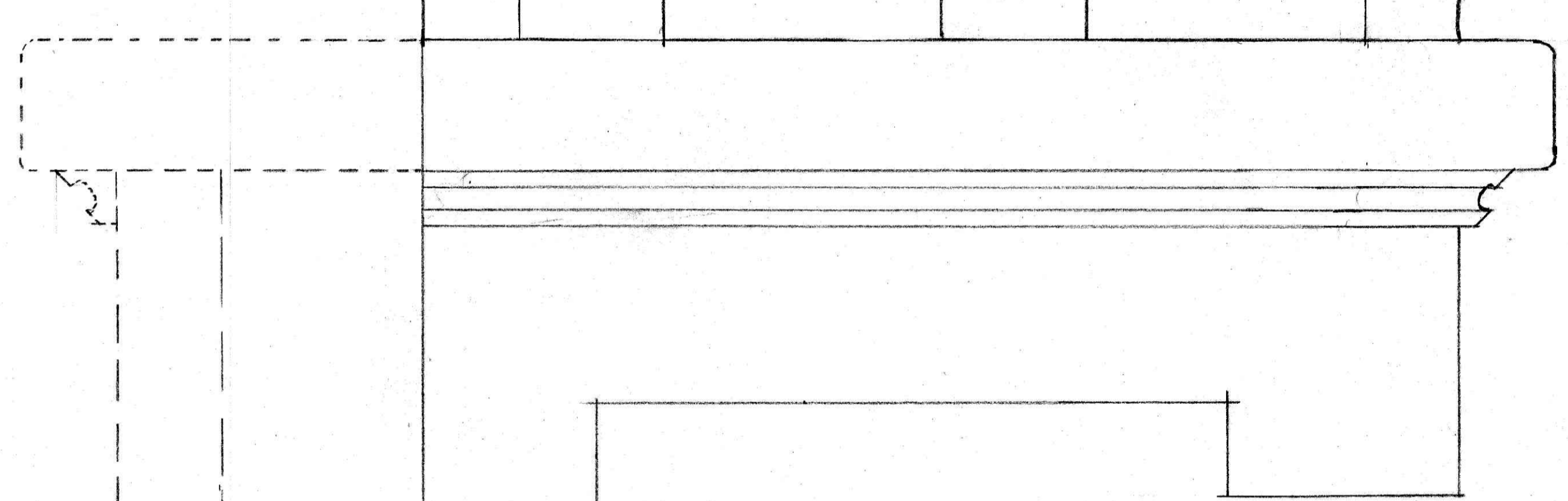
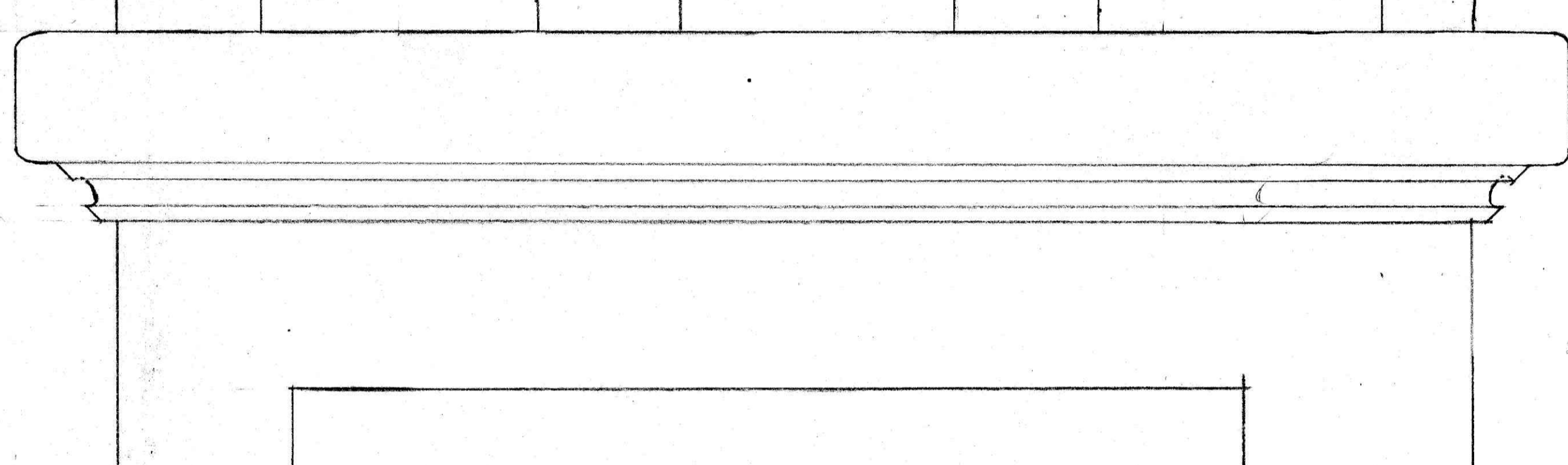


PLAN OF NEWEL

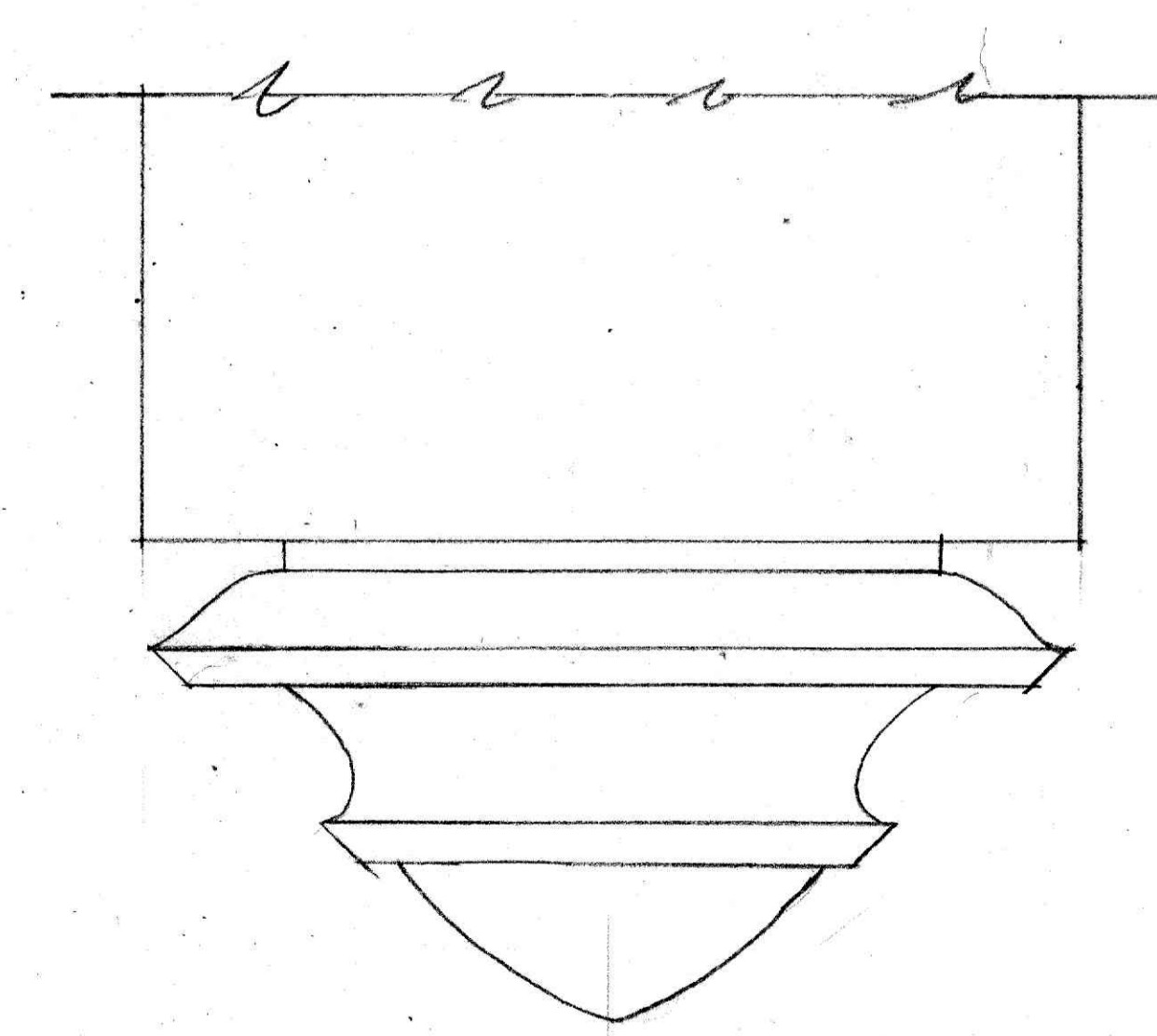


2" x 12"

SECTION THRU STRING



SECTION THRU WELL HOLE



DROP ON NEWEL

F. S. DETAILS OF STAIRS IN SUNDAY SCHOOL

DESIGNED BY	<b>BUILDING</b>	DATE
DRAWN BY	WATTS SE BAPTIST CHURCH	1914/4
CHECKED BY	DURHAM, N. C.	
APPROVED BY	<b>STANHOPE S. JOHNSON</b>	
	ARCHITECT	
	LYNCHBURG, VIRGINIA	

F. S. DETAIL OF STAIR IN CHURCH VESTIBULE

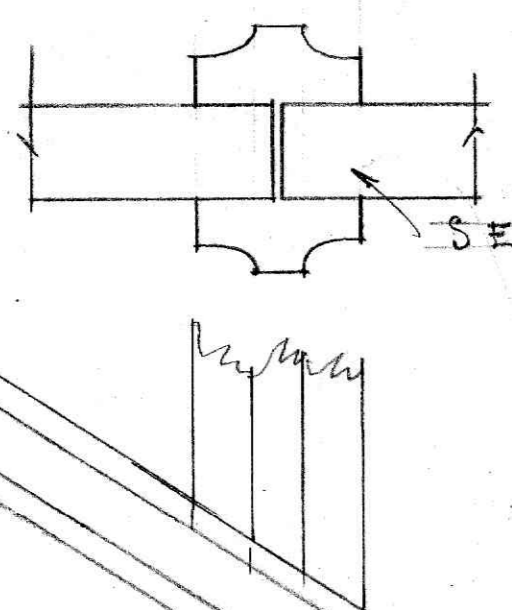
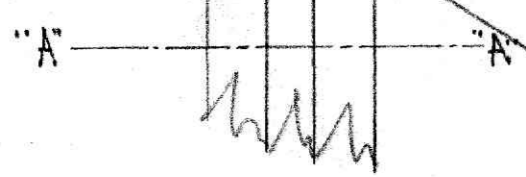
SHEET # 33.

NOTE:

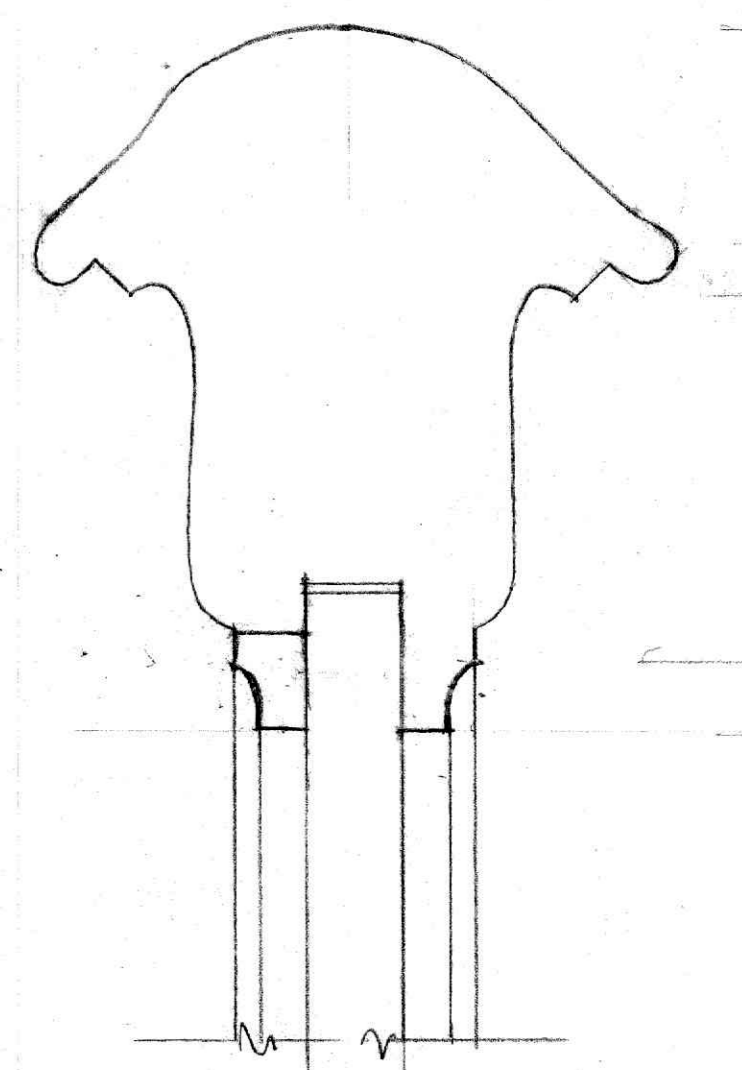
SEE SHEET # 33-A FOR OTHER DETAILS.

BUILDING		
DRAWN BY	WATTS ST. BAPTIST CHURCH DURHAM, N.C.	DATE 7/17/27
DESIGNED BY	STANHOPE S. JOHNSON ARCHITECT	JOB NO.
APPROVED	LYNCHBURG, VIRGINIA	SHEET NO. 33

NOTE: THIS DRAWING MUST BE RETURNED TO THE ARCHITECT ON COMPLETION OF THE WORK FOR WHICH IT IS MADE.



SECTION THRU "K-K"



F. S. DETAIL OF RAIL

