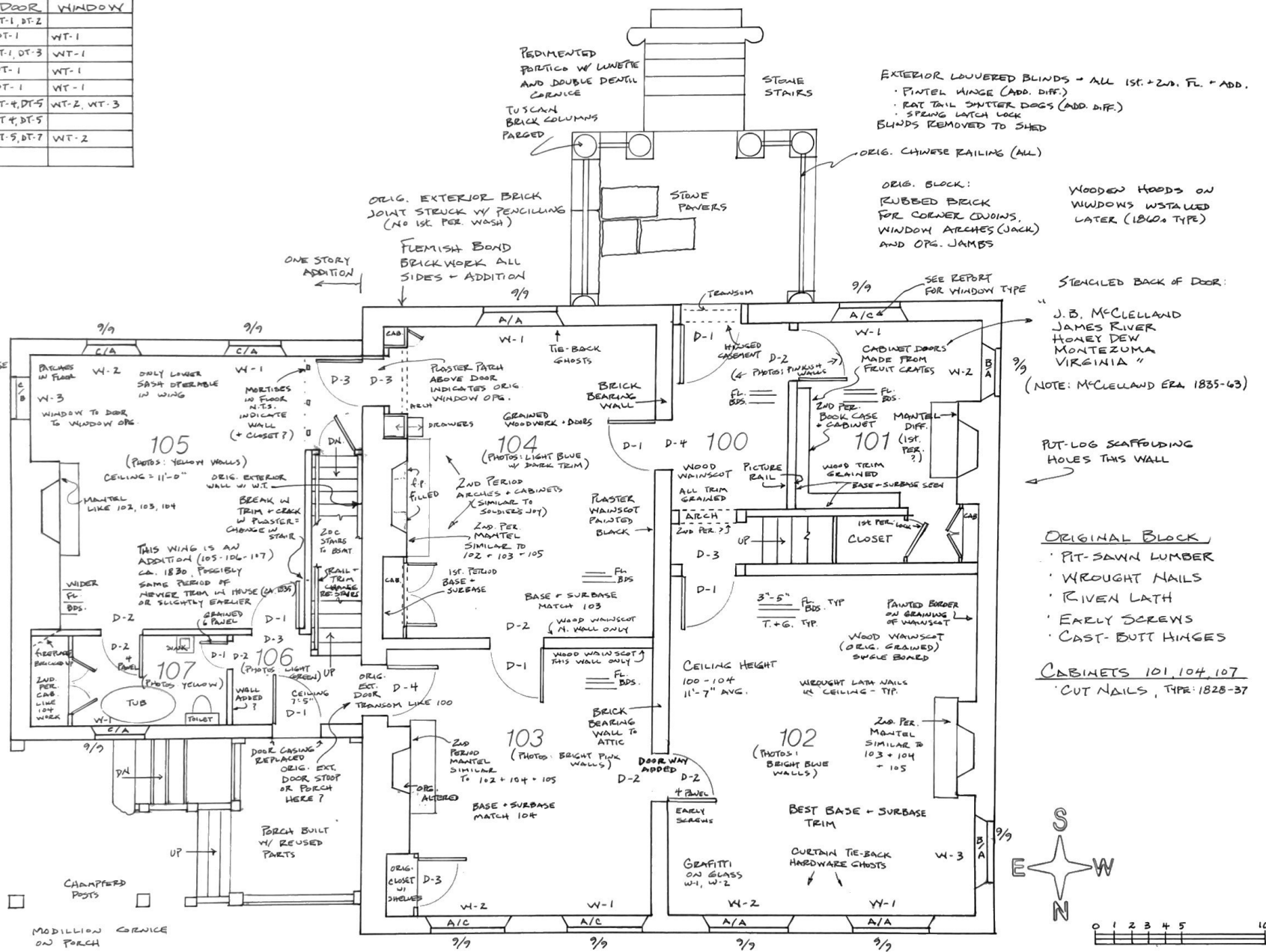


ROOM TEAM

ROOM	BASE	SURBASE	DOOR	WINDOW
100	BB-2	CR-2	DT-1, DT-2	
101	BB-2, BB-3	CR-2, CR-3, 4	DT-1	WT-1
102	BB-4	CR-5	DT-1, DT-3	WT-1
103	BB-5	CR-6	DT-1	WT-1
104	BB-5	CR-6	DT-1	WT-1
105	BB-4	CR-7, CR-8	DT-4, DT-5	WT-2, WT-3
106	BB-6	CR-7	DT-4, DT-5	
107	BB-6	CR-7	DT-5, DT-7	WT-2

WING
 CUT NAIL CONSTRUCTION
 105 WEST WALL = 1810-36,
 AND 1828-37
 1828-37 TYPE TR. ELSEWHERE

LATER GREENHOUSE OR BLECH THIS CORNER 9/9



FIRST FLOOR PLAN

MONTESUMA		
SCALE: 1/4" = 1'-0"	APPROVED BY:	DRAWN BY: TCM
DATE: OCT. 2007		REVISED:
NELSON Co., VA.		
POPLAR FOREST FIELD SCHOOL		DRAWING NUMBER: 289