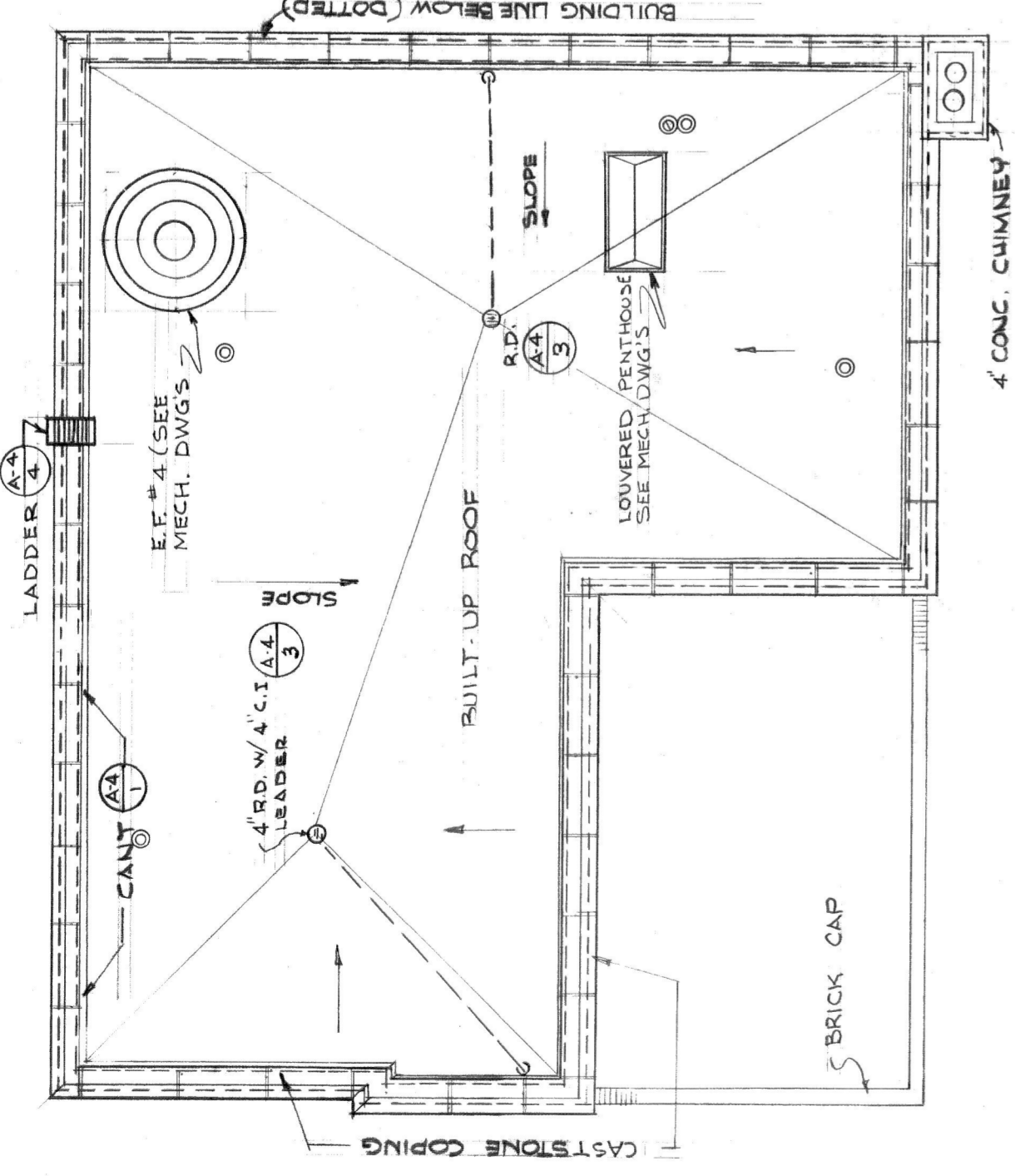
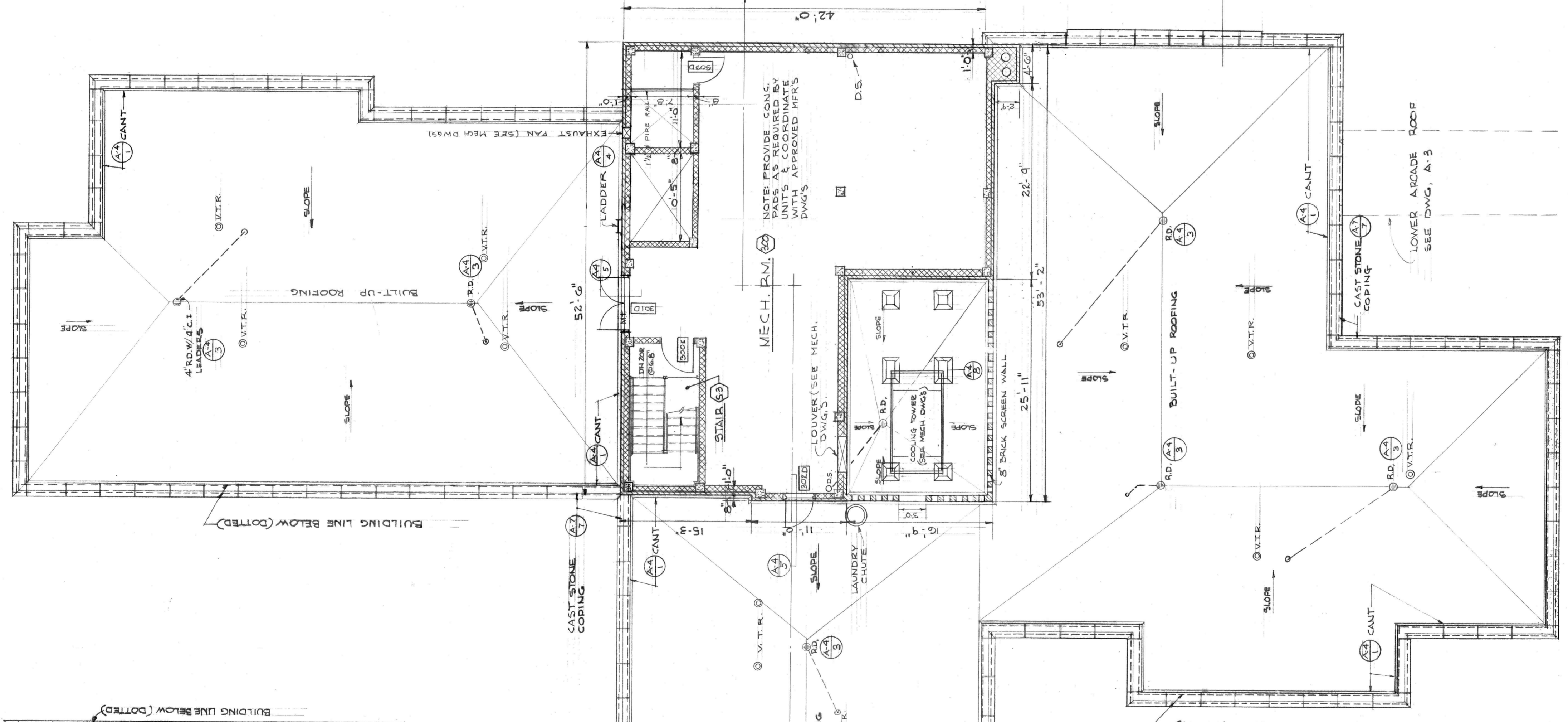


FINISH SCHEDULE

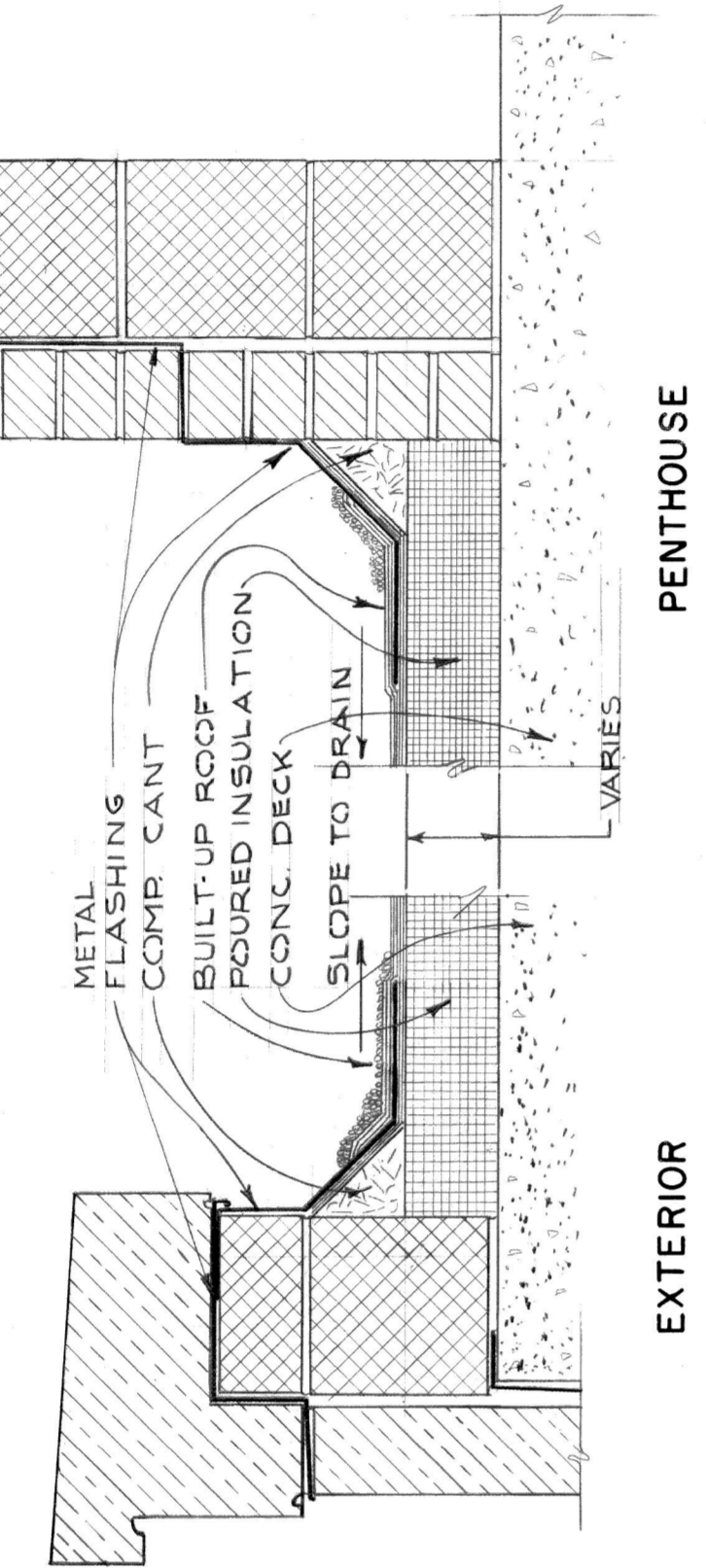
SPACE NO.	SPACE NAME	FLOOR	BASE	WALLS	W/COT	CEILING	DETAILS & REMARKS
300	MECHANICAL RM	CONC	NONE	PAINTED C.M.U.	EXPOSED	10'-4" 1"	(A-4)
303	STAIR	V.A.T	METAL	H.W.P.	3/8" VINYL AC."	8'-0" 8'-0" RUBBER TRENDS	(A-2)



PENTHOUSE ROOF PLAN
1/8" = 1'-0"

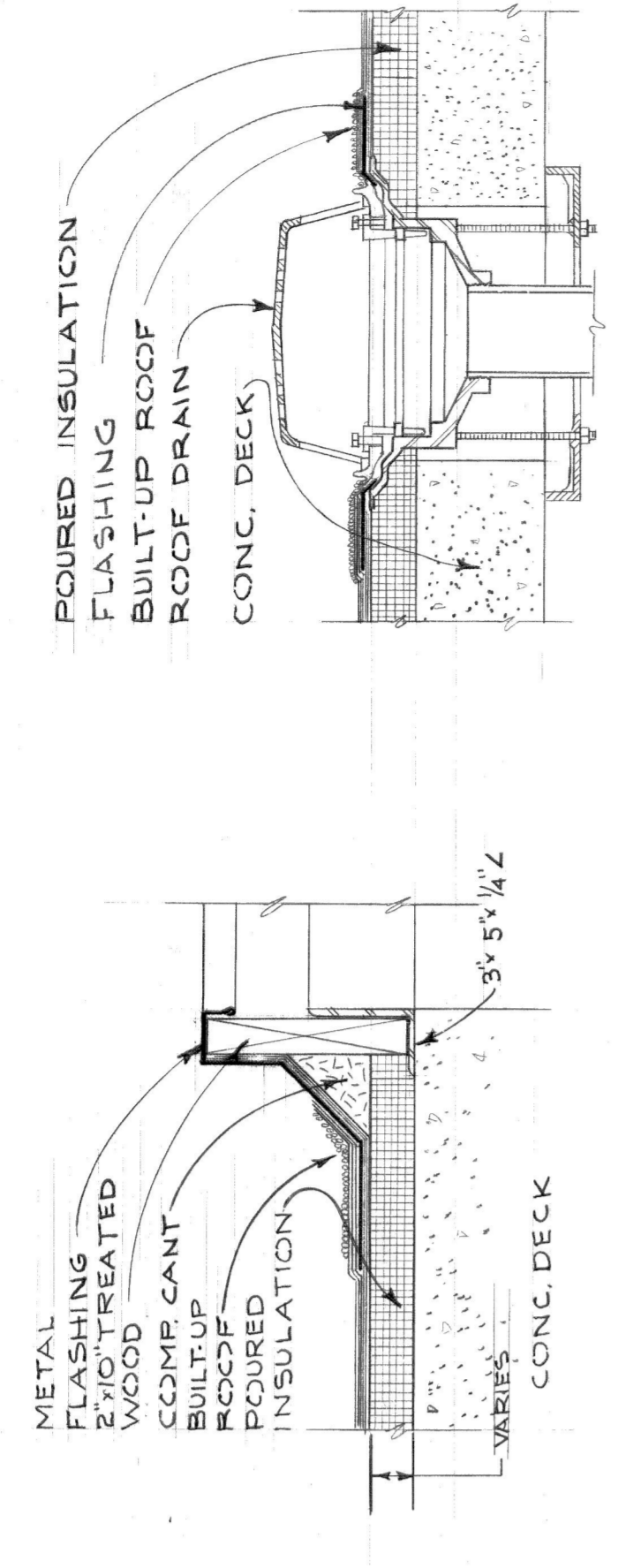


KEY PLAN



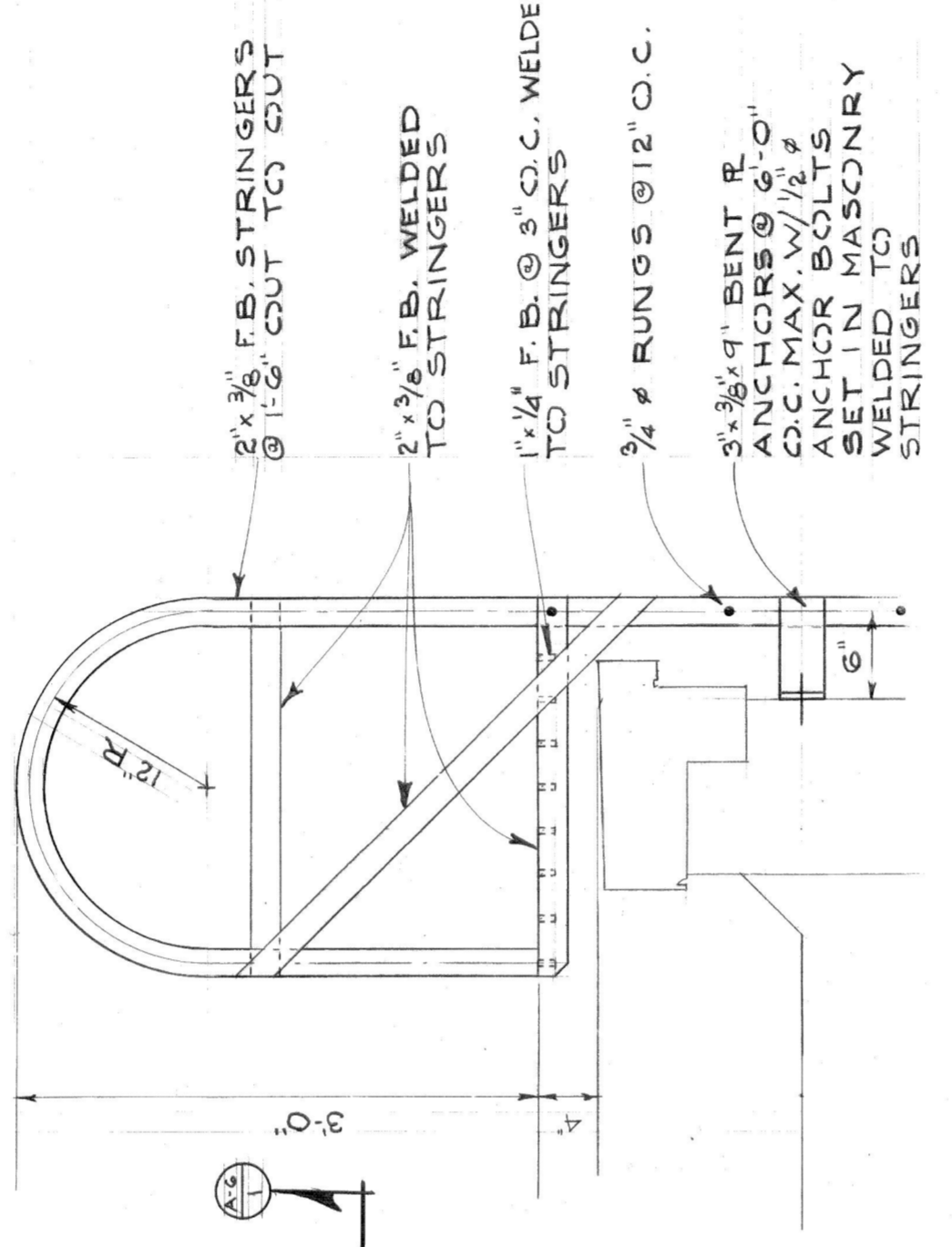
EXTERIOR

TYPICAL CANT DETAIL
1 1/2" = 1'-0" (A-4) 1

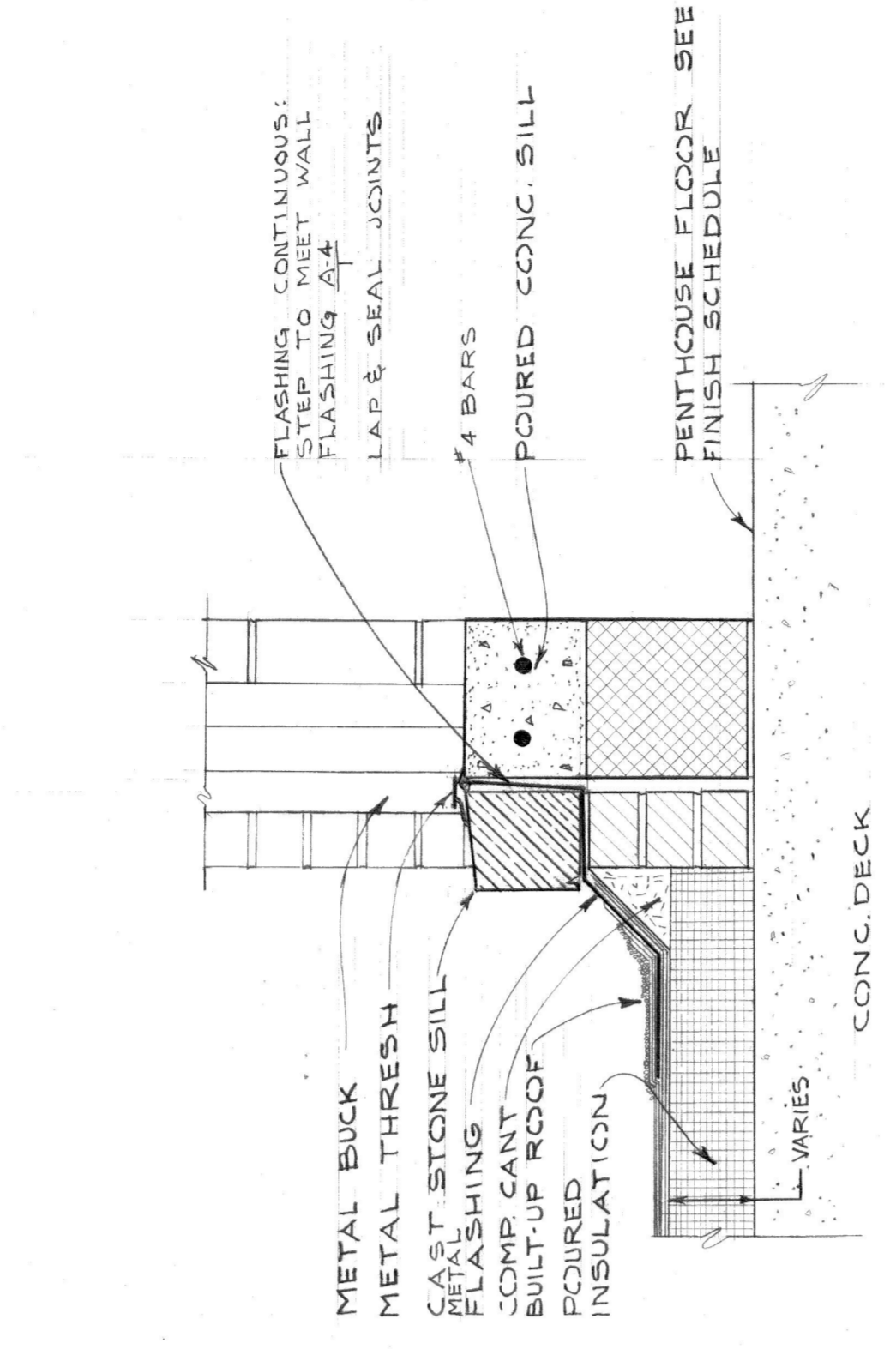


TYPICAL ROOF OPENING
1 1/2" = 1'-0" (A-4) 2

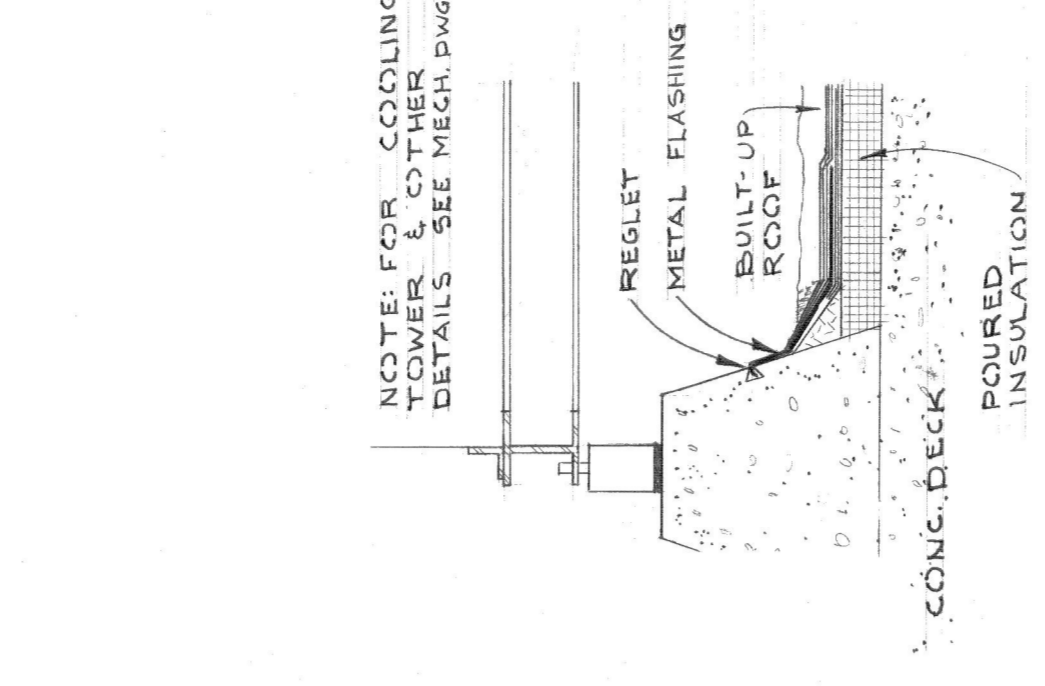
ROOF DRAIN
1 1/2" = 1'-0" (A-4) 3



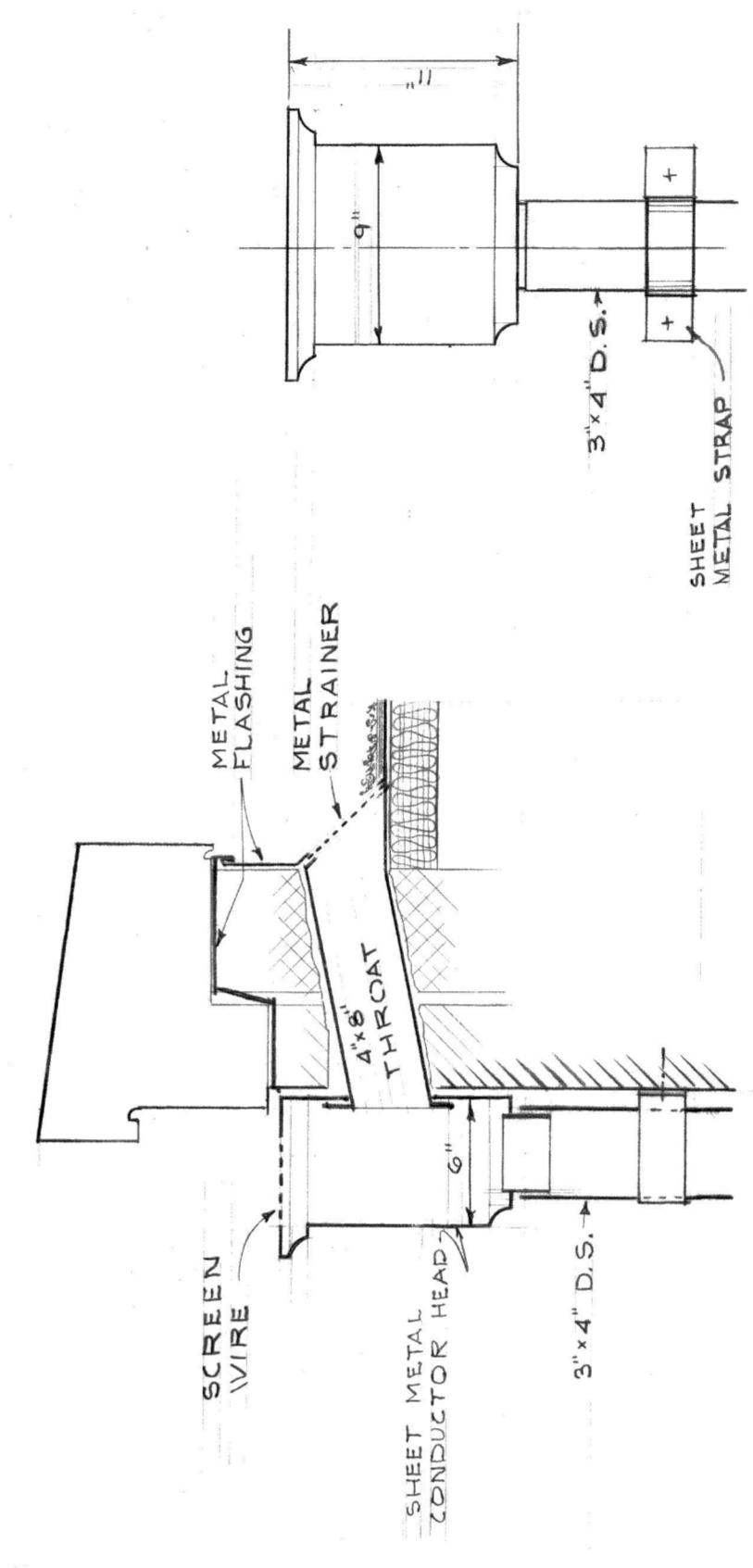
STEEL LADDER DETAIL
1" = 1'-0" (A-4) 4



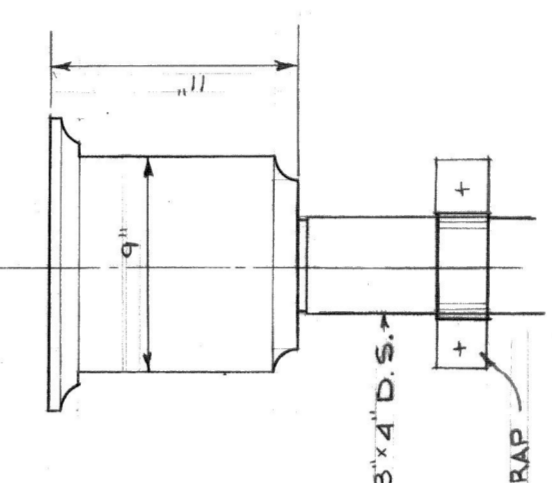
SILL AT DOOR 301 & 302
1 1/2" = 1'-0" (A-4) 5



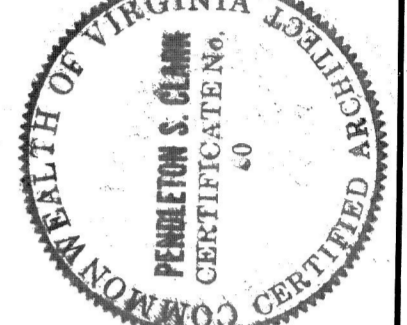
PEDESTAL FLASHING DETAIL
3/4" = 1'-0" (A-4) 6



SECTION CONDUCTOR HEAD & DOWN SPOUT DETAIL
1 1/2" = 1'-0" (A-4) 6



ELEVATION



PROJECT NO. VA-208
ALTERATIONS & ADDITIONS
TO
GUGGENHEIMER MEMORIAL
HOSPITAL
LYNCHBURG, VIRGINIA

CLARK, NEASEN & OWEN - ARCHITECTS
LYNCHBURG, VIRGINIA
NORFOLK, VIRGINIA
ROOF PLAN & DETAILS
JAN. 1962 (AS NOTED) (MMS-370) CLB